



Bugeye's mission is to support and enhance the training and operations of the United States and its allies in the fight to protect freedom worldwide.

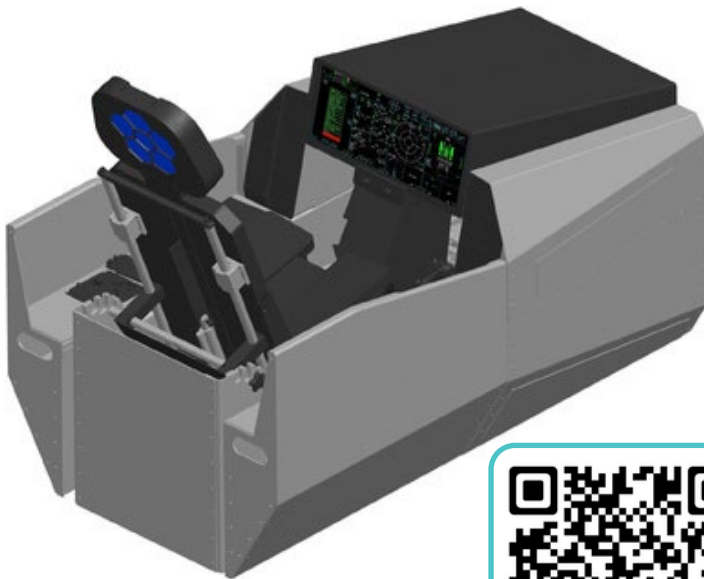
Established in 2003, Bugeye Technologies is the supplier of choice for companies and government organizations needing complex mechanical and electrical assemblies, design and build services, and commercially available simulation products. We utilize our experience in design and manufacturing to produce the highest quality, authentic products to support your needs.

F-35 Reconfigurable Advanced Mission Trainer (RAMT)

Bugeye's F-35 RAMT cockpit is a culmination of pilot feedback from across the world and the results have allowed our team to develop one of the best valued trainers available: the F-35 Reconfigurable Advanced Mission Trainer!

With the ability to support a wide variety of configurations, the RAMT supports use cases ranging from maintainers' skill sustainment to advanced mission readiness.

The Bugeye F-35 RAMT cockpit was built with software interoperability in mind. Bugeye's RAMT is software agnostic, so there is no need to rebuy hardware if software is changed/updated. Bugeye is the best value solution for hardware!



Bugeye's F-35 RAMT



Scan for more details

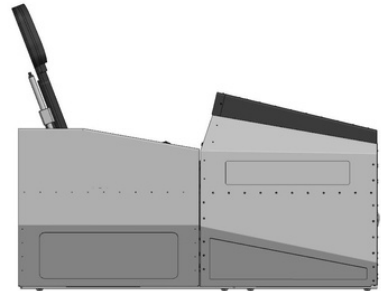
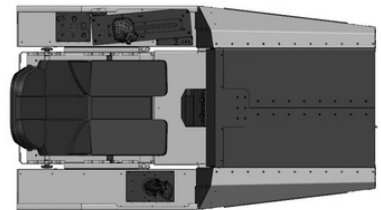
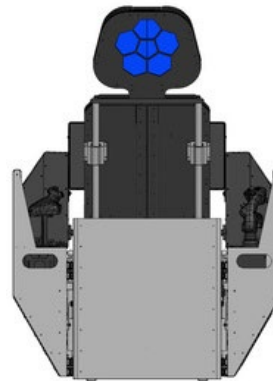
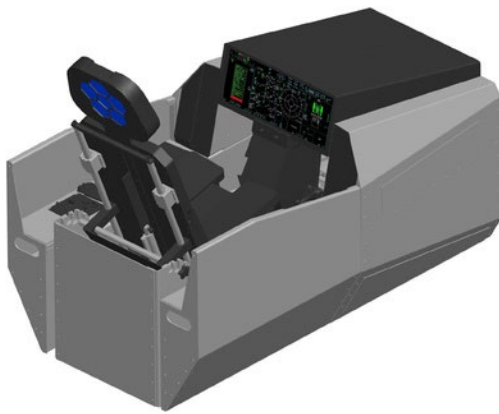
- Small footprint: 69" L x 38.5" W (175cm L x 98cm W)
- Intuitive, toolless side assembly:
 - Easily fits through standard doors.
 - Upgradable/updatable to fit future requirements.
 - Easily deployable.
- Scalable fidelity and functionality can be added as your needs change.
- Designed using our current commercial off-the-shelf Hands-On Throttle and Stick (HOTAS) and pedals, as well as the Bugeye 20" x 8" Primary Cockpit Display (PCD).
- Designed for reconfigurability to other aircraft
 - Change out instrument panels, consoles, HOTAS.
 - No tools required.
 - Adjustable seat angle and position to replicate any USAF fighter/trainer
- Worldwide AC power compatibility.

Email sales@bugeyetech.com for more information



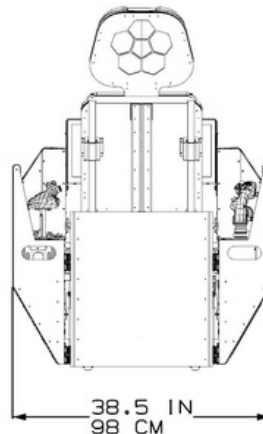
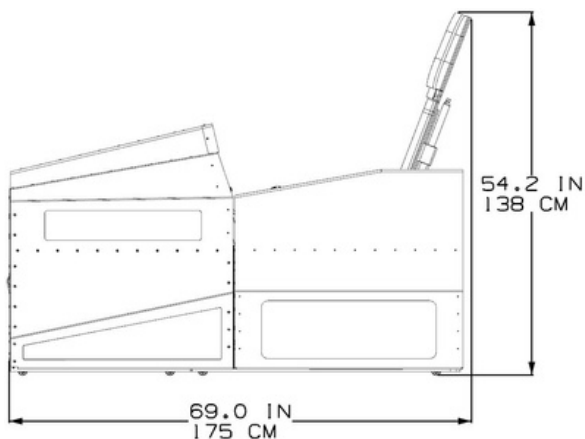
21B110073-1001 Simulated F-35 Reconfigurable Advanced Mission Trainer (RAMT) Cockpit

- Includes FC2000 simulated F-35 stick, throttle, and rudder pedals.
- Both left and right-side consoles slide aft for easy ingress/egress.
- Includes a simulated ejection seat that replicates the ergonomics of the aircraft with $\pm 3"$ of vertical travel.
- Software interoperability.
- Realistic PCD, 4K multi-touch display, 20" W x 8" H (50.8cm W x 20.3cm H).
- 1A during normal operation, 7amps while adjusting the seat position (based on 120V)
- Worldwide power compatibility 120/240v and 50/60hz.



Bugeye's F-35 RAMT

Email sales@bugeyetech.com for more information



Bugeye's F-35 RAMT Dimensions



Scan for more details